

PIN-BASE RETROFITS



TYPE A 4-PIN PL LAMPS



← omni-directional

- > Operates on compatible electronic ballasts.
- > 10W & 12W replaces up to 32W CFL lamps.
- > Available in 2700K, 3000K, 3500K & 4000K color temperatures.
- > Up to 1100 lumen output.
- > Suitable for damp environments.
- > Not for use in enclosed fixtures.
- > Rotating base on LED-7334 allows for optimal light output.



rotating base ↑



rotating base ↑



120/277V
ALSO WORKS ON 208V & 240V

UL TYPE A BALLAST COMPATIBLE
INSTALL METHOD

4 PIN
BASE TYPE

MOUNTING

-40°F TO 104°F
OPERATING TEMP

80+
CRI

L70
50,000hrs RATED LIFE

PART #	UPC	REPLACES	WATTAGE	LUMENS	COLOR*	BASE	DLC CODE
LED-7338-40A	844006073671	26W 4 Pin CFL	12W	1100	4000K	G/GX24q	N/A
LED-7330-40K-G2	844006073619	26W 4 Pin CFL	10W	916	4000K	G/GX24q	S-Q7BSVR
LED-7334-40K-G3	844006067861	32W 4 Pin CFL	12W	1100	4000K	G/GX24q	N/A
LED-7334-40K-G2	844006073558	32W 4 Pin CFL	12W	1100	4000K	G/GX24q	PUSVMVKF

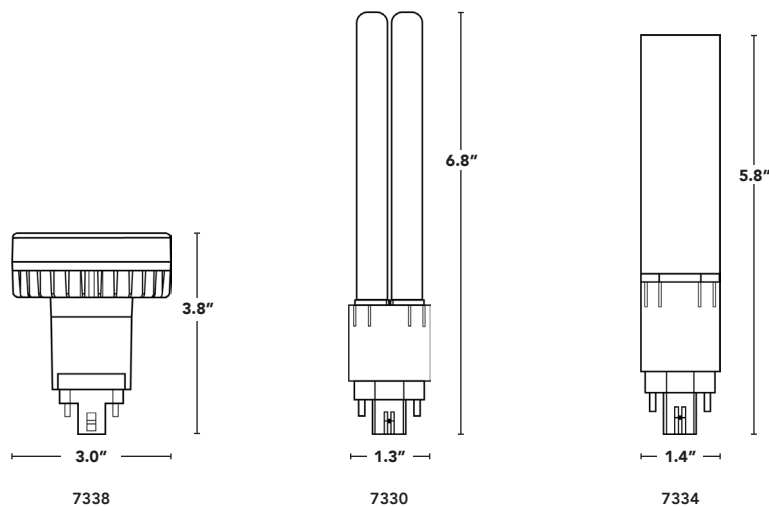


* additional color temperatures shown on page 2

Available from Major Electronix | sales@majorelectronix.com | 800-966-2345 | www.productsforautomation.com



TYPE A 4-PIN PL LAMPS



PART #	UPC	REPLACES	WATTAGE	LUMENS	COLOR (K)	BASE	DLC CODE
LED-7338-27A	844006073688	26W 4 Pin CFL	12W	1100	2700K	G/GX24q	N/A
LED-7338-35A	844006073664	26W 4 Pin CFL	12W	1100	3500K	G/GX24q	N/A
LED-7338-40A	844006073671	26W 4 Pin CFL	12W	1100	4000K	G/GX24q	N/A
LED-7330-27K-G2	844006073596	26W 4 Pin CFL	10W	760	2700K	G/GX24q	S-DK9IOM
LED-7330-35K-G2	844006073602	26W 4 Pin CFL	10W	850	3500K	G/GX24q	S-FQUZN7
LED-7330-40K-G2	844006073619	26W 4 Pin CFL	10W	916	4000K	G/GX24q	S-Q7BSVR
LED-7334-27K-G3	844006067830	32W 4 Pin CFL	12W	1100	2700K	G/GX24q	N/A
LED-7334-35K-G3	844006067854	32W 4 Pin CFL	12W	1100	3500K	G/GX24q	N/A
LED-7334-40K-G3	844006067861	32W 4 Pin CFL	12W	1100	4000K	G/GX24q	N/A
LED-7334-27K-G2	844006073534	32W 4 Pin CFL	12W	1100	2700K	G/GX24q	PL1SNDYE
LED-7334-30K-G2*	844006073534	32W 4 Pin CFL	12W	1100	2700K	G/GX24q	S-CSMBYZ
LED-7334-35K-G2	844006073541	32W 4 Pin CFL	12W	1100	3500K	G/GX24q	P9WBMLWO
LED-7334-40K-G2	844006073558	32W 4 Pin CFL	12W	1100	4000K	G/GX24q	PUSVMVKF

* LED-7334-30K has non-retail packaging

Additional Notes:

- > Check ballast compatibility list to ensure proper operation (available on led-llc.com/pl-retrofit).
- > Do not use in fully enclosed fixtures.
- > For dimming applications use LED-7330 or LED-7334-G2.