



Light Efficient Design

SCREW-IN
RETROFITS



POST TOP RETROFITS

- > Advanced Active Cooling. Energetic cooling fan & dynamic temp control supports a longer, brighter life.
- > Multi-directional mounting capability & 360° design. Use base down, base up or base sideways without affecting performance.
- > Pretested & potted drivers are burnt in 3x prior to shipping and protected against vibration & moisture.
- > Expertly engineered to work efficiently in enclosed fixtures & damp environments, while also protected against insects & dust.
- > Dual stage MOV protection with integrated 6kA surge.
- > USA designed & specified LED driver.
- > 8033D models dim to 50% by selecting "LO" on the switch located on the side of the lamp. (Stepped dimming with other wired control communication by the onboard switch)

← top LED's



LED
8033E



ALSO WORKS
ON 208V & 240V



INSTALL
METHOD



MEDIUM +
MOGUL BASE



ACTIVE
COOLING



CRI



-40°F to 122°F

OPERATING
TEMP



50,000hrs
RATED LIFE



SURGE
PROTECTION

| PART # | UPC | REPLACES | WATTAGE | LUMENS | COLOR (K)* | BASE |
|-----------------|--------------|----------|---------|--------|------------|------|
| LED-8033E50-G7 | 844006056230 | 175W HID | 35W | 5360 | 5000K | E26 |
| LED-8033M50-G7 | 844006056261 | 175W HID | 35W | 5360 | 5000K | EX39 |
| LED-8033E50D-G7 | 844006077181 | 175W HID | 35W | 5360 | 5000K | E26 |
| LED-8033M50D-G7 | 844006077242 | 175W HID | 35W | 5360 | 5000K | EX39 |

* additional color temperatures shown on page 2

** 347 volt options for Canada shown on page 2



MOGUL OR 120V
MEDIUM BASE ONLY

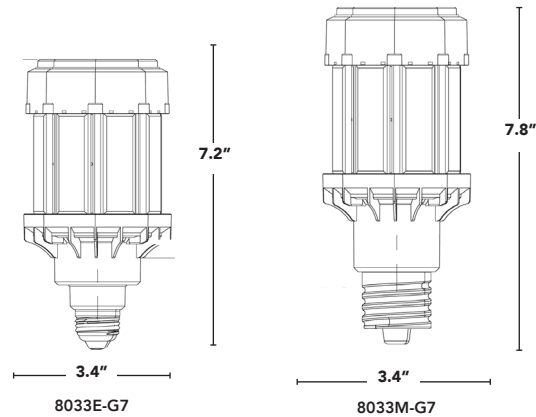


Available from Major Electronix | sales@majorelectronix.com |
800-966-2345 | www.productsforautomation.com

01.27.23 Information is subject to change without notice.



POST TOP RETROFITS



| PART # | UPC | REPLACES | WATTAGE | LUMENS | COLOR (K) | BASE | DLC CODE |
|-----------------|--------------|----------|---------|--------|-----------|------|----------|
| LED-8033E30-G7 | 844006056216 | 175W HID | 35W | 5140 | 3000K | E26 | N/A |
| LED-8033E40-G7 | 844006056223 | 175W HID | 35W | 5290 | 4000K | E26 | N/A |
| LED-8033E50-G7 | 844006056230 | 175W HID | 35W | 5360 | 5000K | E26 | N/A |
| LED-8033E30D-G7 | 844006077143 | 175W HID | 35W | 5140 | 3000K | E26 | N/A |
| LED-8033E40D-G7 | 844006077167 | 175W HID | 35W | 5290 | 4000K | E26 | N/A |
| LED-8033E50D-G7 | 844006077181 | 175W HID | 35W | 5360 | 5000K | E26 | N/A |
| LED-8033M30-G7 | 844006056247 | 175W HID | 35W | 5140 | 3000K | EX39 | PNIZP74Z |
| LED-8033M40-G7 | 844006056254 | 175W HID | 35W | 5290 | 4000K | EX39 | P17Q1Z01 |
| LED-8033M50-G7 | 844006056261 | 175W HID | 35W | 5360 | 5000K | EX39 | PE99D82L |
| LED-8033M30D-G7 | 844006077204 | 175W HID | 35W | 5140 | 3000K | EX39 | PB9HY8NY |
| LED-8033M40D-G7 | 844006077228 | 175W HID | 35W | 5290 | 4000K | EX39 | P8VK9R0E |
| LED-8033M50D-G7 | 844006077242 | 175W HID | 35W | 5360 | 5000K | EX39 | P1ZUAA4 |

🇨🇦 347 VOLT OPTIONS FOR CANADA 🇨🇦

| PART # | UPC | REPLACES | WATTAGE | LUMENS | COLOR (K) | BASE | DLC CODE |
|------------------|--------------|----------|---------|--------|-----------|------|----------|
| LED-8033E30C-G7 | 844006056278 | 175W HID | 35W | 5140 | 3000K | E26 | N/A |
| LED-8033E40C-G7 | 844006056285 | 175W HID | 35W | 5290 | 4000K | E26 | N/A |
| LED-8033E50C-G7 | 844006056292 | 175W HID | 35W | 5360 | 5000K | E26 | N/A |
| LED-8033E30CD-G7 | 844006077136 | 175W HID | 35W | 5140 | 3000K | E26 | N/A |
| LED-8033E40CD-G7 | 844006077150 | 175W HID | 35W | 5290 | 4000K | E26 | N/A |
| LED-8033E50CD-G7 | 844006077174 | 175W HID | 35W | 5360 | 5000K | E26 | N/A |
| LED-8033M30C-G7 | 844006056308 | 175W HID | 35W | 5140 | 3000K | EX39 | PCA1TI6E |
| LED-8033M40C-G7 | 844006056315 | 175W HID | 35W | 5290 | 4000K | EX39 | PO4UIWR2 |
| LED-8033M50C-G7 | 844006056322 | 175W HID | 35W | 5360 | 5000K | EX39 | P9VVUKR4 |
| LED-8033M30CD-G7 | 844006077198 | 175W HID | 35W | 5140 | 3000K | EX39 | PVCBZ2P5 |
| LED-8033M40CD-G7 | 844006077211 | 175W HID | 35W | 5290 | 4000K | EX39 | PQ5GE9SX |
| LED-8033M50CD-G7 | 844006077235 | 175W HID | 35W | 5360 | 5000K | EX39 | PXN62VJZ |