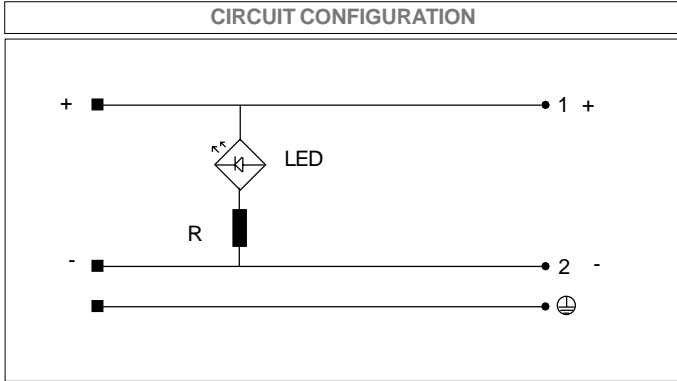
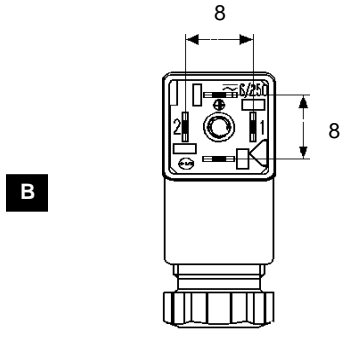


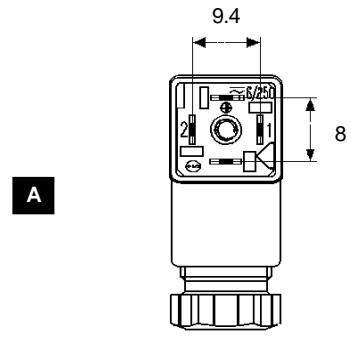
### DIN 43650 FORM C - DC LIGHTED



SPECIFICATIONS	
Housing and Pinplate Material:	PA + 30% GF
Socket Contact Material:	CU ZN / Tin Plated
Housing Color:	Clear
Maximum Current:	8 Amps
Circuit:	NEON w/ Resistor
Pin Spacing:	8 & 9.4 m.m.
Protection Class:	IP 65 DIN 40 050
Insulation Class:	Group C - VDE 01110
Working Temperature:	- 40°C to +125°C



**GDSNZ**

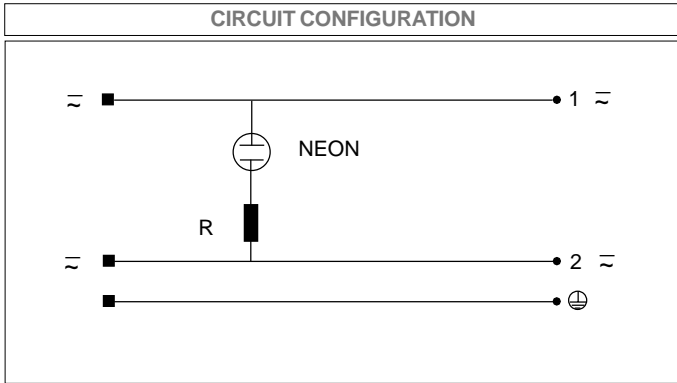


**GDSZ**

ORDER CODE	VOLTAGE	POLES	CABLE DIA.	CABLE GLAND	FIGURE
GDSZ RC 29 1 313 0	12 vdc	2 + GRD	4.5 to 7 m.m.	Pg 7	A
GDSZ RC 29 6 313 0	24 vdc	2 + GRD	4.5 to 7 m.m.	Pg 7	A
GDSZ RC 29 9 313 0	48 vdc	2 + GRD	4.5 to 7 m.m.	Pg 7	A
GDSZ RC 29 16 313 0	90 vdc	2 + GRD	4.5 to 7 m.m.	Pg 7	A
GDSNZ RC 211 1 313 0	12 vdc	2 + GRD	4.5 to 7 m.m.	Pg 7	B
GDSNZ RC 211 6 313 0	24 vdc	2 + GRD	4.5 to 7 m.m.	Pg 7	B
GDSNZ RC 211 9 313 0	48 vdc	2 + GRD	4.5 to 7 m.m.	Pg 7	B
GDSNZ RC 211 16 313 0	90 vdc	2 + GRD	4.5 to 7 m.m.	...Pg 7...	

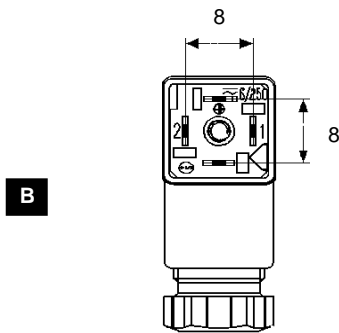
**ALL CONNECTORS CAN BE PROVIDED PRE-WIRED AND/OR WITH SURGE SUPPRESSION**

### DIN 43650 FORM C - AC LIGHTED

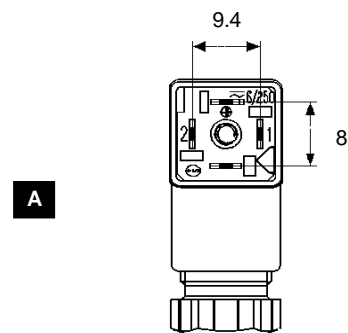


**SPECIFICATIONS**

Housing and Pinplate Material:	PA + 30% GF
Socket Contact Material:	CU ZN / Tin Plated
Housing Color:	Clear
Maximum Current:	8 Amps
Circuit:	NEON w/ Resistor
Pin Spacing:	8 & 9.4 m.m.
Protection Class:	IP 65 DIN 40 050
Insulation Class:	Group C - VDE 01110
Working Temperature:	- 40°C to +125°C



**GDSNZ**



**GDSZ**

ORDER CODE	VOLTAGE	POLES	CABLE DIA.	CABLE GLAND	FIGURE
GDSZ RC 29 14 313 0	24 vac	2 + GRD	4.5 to 7 m.m.	Pg 7	A
GDSZ RC 29 4 313 0	110-120 vac	2 + GRD	4.5 to 7 m.m.	Pg 7	A
GDSZ RC 29 8 313 0	215-230 vac	2 + GRD	4.5 to 7 m.m.	Pg 7	A
GDSNZ RC 211 14 313 0	24 vac	2 + GRD	4.5 to 7 m.m.	Pg 7	B
GDSNZ RC 211 4 313 0	110-120 vac	2 + GRD	4.5 to 7 m.m.	Pg 7	B
GDSNZ RC 211 8 313 0	215-230 vac	2 + GRD	4.5 to 7 m.m.	Pg 7	B

**ALL CONNECTORS CAN BE PROVIDED PRE-WIRED AND/OR WITH SURGE SUPPRESSION**

**FOR IMMEDIATE ASSISTANCE CALL 800-966-2345**