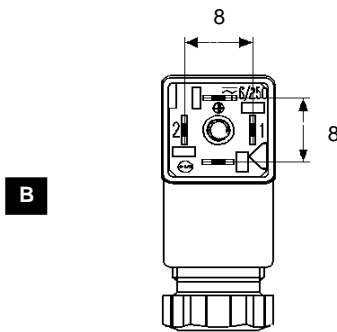
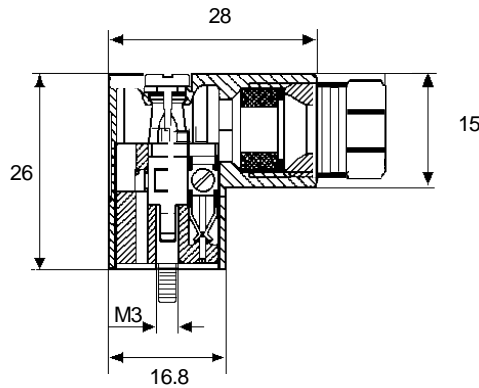


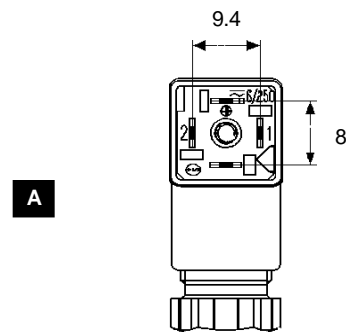
DIN 43650 FORM C - NO CIRCUIT

Three and four pole industrial power connectors, made to Din 43650 specifications. Screw style wire attachment with rubber compression gland offers IP 65 rated protection against dust and hose down conditions. Features vibration proof locking via a center screw and flat gasket. Options include; silicone gasket or prewired connector with customer specified cable and lengths.

SPECIFICATIONS	
Housing and Pinplate Material:	PA + 30% GF
Socket Contact Material:	CU ZN / Tin Plated
Operating Voltage:	250 Vac / 300 Vdc
Maximum Current:	6 Amps
Operating Current:	6 Amps
Pin Spacing:	8 & 9.4 m.m.
Protection Class:	IP 65 DIN 40 050
Insulation Class:	Group C - VDE 01110
Working Temperature:	- 40°C to +125°C



GDSNZ



GDSZ

ORDER CODE	COLOR	POLES	CABLE DIA.	CABLE GLAND	FIGURE
GDSZ RB 27 0 3072 0	Black	2 + GRD	3.5 to 7 m.m.	Pg 7	A
GDSZ RB 27 0 3072 0	Black	2 + GRD	3.5 to 7 m.m.	Pg 7	A
GDSNZ RB 27 0 3074 0	Black	2 + GRD	3.5 to 7 m.m.	Pg 7	B
GDSNZ RB 29 0 3074 0	Black	2 + GRD	3.5 to 7 m.m.	Pg 7	B

ALL CONNECTORS CAN BE PROVIDED PRE-WIRED AND/OR WITH SURGE SUPPRESSION

FOR IMMEDIATE ASSISTANCE CALL 800-966-2345