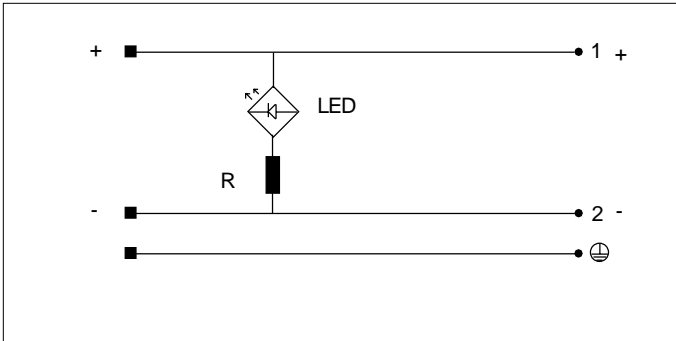


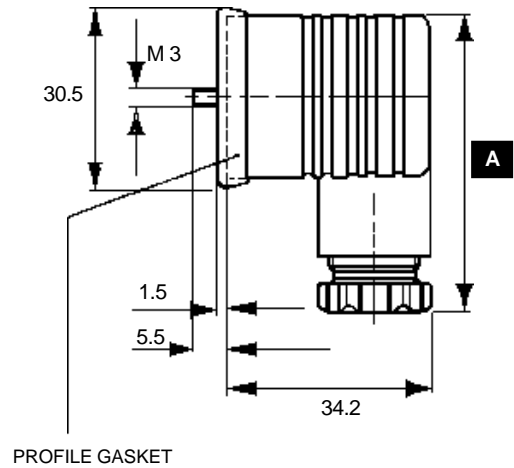
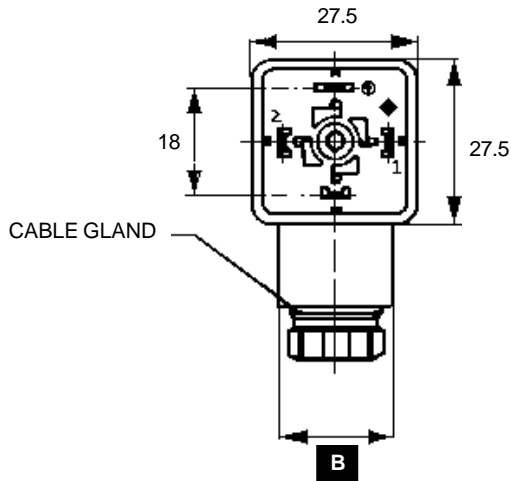
### DIN 43650 FORM A - DC LIGHTED - HIGH HOUSING

#### CIRCUIT CONFIGURATION



#### SPECIFICATIONS

Housing and Pinplate Material:	PA + 30% GF
Socket Contact Material:	CU ZN / Tin Plated
Housing Color:	Clear
Maximum Current:	8 Amps
Circuit:	L.E.D w/ Resistor
Pin Spacing:	18 m.m.
Protection Class:	IP 65 DIN 40 050
Insulation Class:	Group C - VDE 01110
Working Temperature:	- 40°C to +125°C



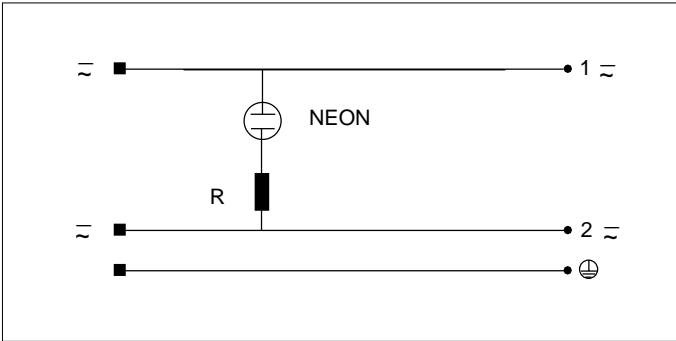
ORDER CODE	VOLTAGE	POLES	CABLE DIA.	CABLE GLAND	DIMENSION A	DIMENSION B
GDMZ RC 29 1 316 0	12 vdc	2 + GRD	4.5 to 6 m.m.	Pg 9	51m.m.	19 m.m.
GDMZ RC 29 6 316 0	24 vdc	2 + GRD	4.5 to 6 m.m.	Pg 9	51m.m.	19 m.m.
GDMZ RC 29 9 316 0	48 vdc	2 + GRD	4.5 to 6 m.m.	Pg 9	51m.m.	19 m.m.
GDMZ RC 29 16 316 0	90 vdc	2 + GRD	4.5 to 6 m.m.	Pg 9	51m.m.	19 m.m.
GDMZ RC 211 1 316 0	12 vdc	2 + GRD	6 to 10 m.m.	Pg 11	53 m.m.	22.5 m.m.
GDMZ RC 211 6 316 0	24 vdc	2 + GRD	6 to 10 m.m.	Pg 11	53 m.m.	22.5 m.m.
GDMZ RC 211 9 316 0	48 vdc	2 + GRD	6 to 10 m.m.	Pg 11	53 m.m.	22.5 m.m.
GDMZ RC 211 16 316 0	90 vdc	2 + GRD	6 to 10 m.m.	Pg 11	53 m.m.	22.5 m.m.
GDMZ RC 212 1 316 0	12 vdc	2 + GRD	6 to 13 m.m.	1/2" NPT	45 m.m. w/o gland	25 m.m.
GDMZ RC 212 6 316 0	24 vdc	2 + GRD	6 to 13 m.m.	1/2" NPT	45 m.m. w/o gland	25 m.m.
GDMZ RC 212 9 316 0	48 vdc	2 + GRD	6 to 13 m.m.	1/2" NPT	45 m.m. w/o gland	25 m.m.
GDMZ RC 212 16 316 0	90 vdc	2 + GRD	6 to 13 m.m.	1/2" NPT	45 m.m. w/o gland	25 m.m.

**ALL CONNECTORS CAN BE PROVIDED PRE-WIRED AND/OR WITH SURGE SUPPRESSION**

**FOR IMMEDIATE ASSISTANCE CALL 800-966-2345**

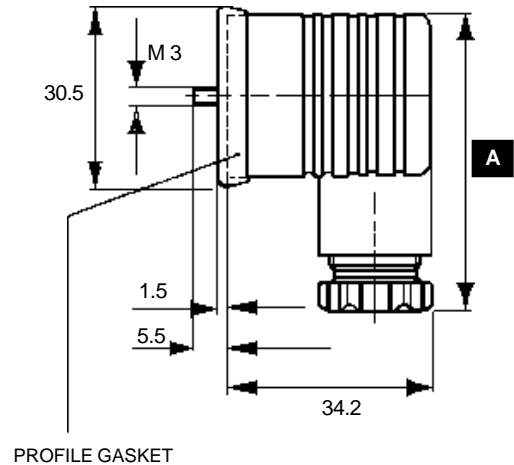
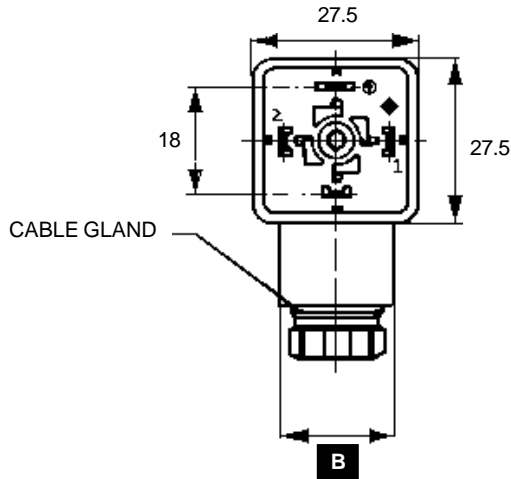
### DIN 43650 FORM A - AC LIGHTED - HIGH HOUSING

#### CIRCUIT CONFIGURATION



#### SPECIFICATIONS

Housing and Pinplate Material:	PA + 30% GF
Socket Contact Material:	CU ZN / Tin Plated
Housing Color:	Clear
Maximum Current:	8 Amps
Circuit:	NEON w/ Resistor
Pin Spacing:	18 m.m.
Protection Class:	IP 65 DIN 40 050
Insulation Class:	Group C - VDE 01110
Working Temperature:	- 40°C to +125°C



ORDER CODE	VOLTAGE	POLES	CABLE DIA.	CABLE GLAND	DIMENSION A	DIMENSION B
GDMZ RC 29 14 316 0	24 VAC	2 + GRD	4.5 to 6 m.m.	Pg 9	51m.m.	19 m.m.
GDMZ RC 29 4 316 0	110 - 120 VAC	2 + GRD	4.5 to 6 m.m.	Pg 9	51m.m.	19 m.m.
<del>GDMZ RC 29 8 316 0</del>	<del>215 - 230 VAC</del>	<del>2 + GRD</del>	<del>4.5 to 6 m.m.</del>	<del>Pg 9</del>	<del>51m.m.</del>	<del>19 m.m.</del>
GDMZ RC 211 14 316 0	24 VAC	2 + GRD	4.5 to 6 m.m.	Pg 9	51m.m.	19 m.m.
GDMZ RC 211 4 316 0	110 - 120 VAC	2 + GRD	6 to 10 m.m.	Pg 11	53m.m.	22.5 m.m.
GDMZ RC 211 8 316 0	215 - 230 VAC	2 + GRD	6 to 10 m.m.	Pg 11	53m.m.	22.5 m.m.
GDMZ RC 212 14 316 0	24 VAC	2 + GRD	6 to 13 m.m.	1/2" NPT	45 m.m. w/o gland	25 m.m.
GDMZ RC 212 4 316 0	110 - 120 VAC	2 + GRD	6 to 13 m.m.	1/2" NPT	45 m.m. w/o gland	25 m.m.
GDMZ RC 212 8 316 0	215 - 230 VAC	2 + GRD	6 to 13 m.m.	1/2" NPT	45 m.m. w/o gland	25 m.m.

ALL CONNECTORS CAN BE PROVIDED PRE-WIRED AND/OR WITH SURGE SUPPRESSION

FOR IMMEDIATE ASSISTANCE CALL 800-966-2345