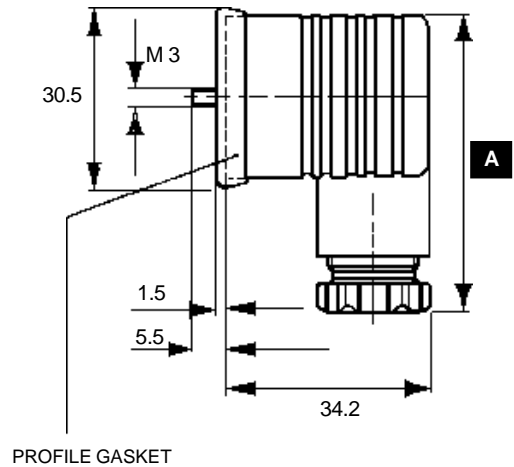
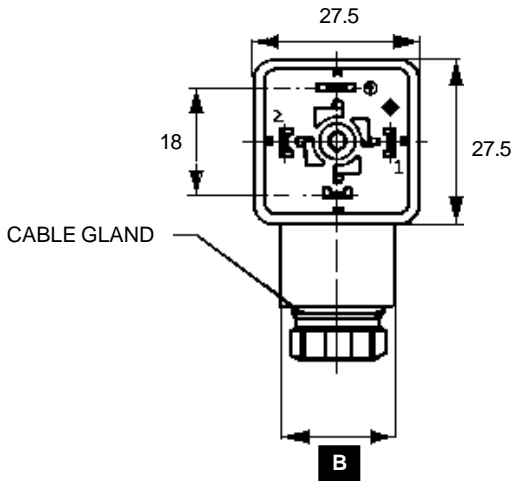


DIN 43650 FORM A - NO CIRCUIT - HIGH HOUSING

Three and Four pole industrial power connectors, made to Din 43650 specifications. Screw style wire attachment with rubber compression gland offers IP 65 rated protection against dust and hose down conditions. Features vibration proof locking via a center screw and profile gasket. Options include; flat gasket, high temperature gasket and prewired connector with customer specified cable and lengths.

SPECIFICATIONS	
Housing and Pinplate Material:	PA + 30% GF
Socket Contact Material:	CU ZN / Tin Plated
Operating Voltage:	250 Vac / 300 Vdc
Housing Color:	Black and Grey
Operating Current:	16 Amps
Pin Spacing:	18 m.m.
Protection Class:	IP 65 DIN 40 050
Insulation Class:	Group C - VDE 01110
Working Temperature:	- 40°C to +125°C



ORDER CODE	COLOR	POLES	CABLE DIA.	CABLE GLAND	DIMENSION A	DIMENSION B
GDMZ RB 29 0 316 0	Black	2 + GRD	4.5 to 6 m.m.	Pg 9	51m.m.	19 m.m.
GDMZ RG 29 0 316 0	Grey	2 + GRD	4.5 to 6 m.m.	Pg 9	51m.m.	19 m.m.
GDMZ RB 39 0 316 0	Black	3 + GRD	4.5 to 6 m.m.	Pg 9	51m.m.	19 m.m.
GDMZ RG 39 0 316 0	Grey	3 + GRD	4.5 to 6 m.m.	Pg 9	51m.m.	19 m.m.
GDMZ RB 211 0 316 0	Black	2 + GRD	6 to 10 m.m.	Pg 11	53 m.m.	22.5 m.m.
GDMZ RG 211 0 316 0	Grey	2 + GRD	6 to 10 m.m.	Pg 11	53 m.m.	22.5 m.m.
GDMZ RB 311 0 316 0	Black	3 + GRD	6 to 10 m.m.	Pg 11	53 m.m.	22.5 m.m.
GDMZ RG 311 0 316 0	Grey	3 + GRD	6 to 10 m.m.	Pg 11	53 m.m.	22.5 m.m.
GDMZ RB 212 0 316 0	Black	2 + GRD	6 to 13 m.m.	1/2" NPT	45 m.m. w/o gland	25 m.m.
GDMZ RB 312 0 316 0	Black	3 + GRD	6 to 13 m.m.	1/2" NPT	45 m.m. w/o gland	25 m.m.

ALL CONNECTORS CAN BE PROVIDED PRE-WIRED AND/OR WITH SURGE SUPPRESSION

FOR IMMEDIATE ASSISTANCE CALL 800-966-2345